

316L Stainless Steel Hot Water Tanks

200L - 5,000L

Edition 2.8



316L Stainless Steel Hot Water Tanks

200L - 5,000L

These WaterMark approved high quality 316L Stainless Steel tanks are designed for the storage and production of Domestic Hot Water. The Direct model without coils can be used as a storage or buffer tank while the Indirect 2 Coil model, which is manufactured with two spiral fixed coils, provides an efficient water heating and storage solution.

Features

- Cylinder: Stainless steel AISI 316 L, internally and externally 100% pickled and passivated
- Max. working pressure: 6 bar
- Max. storage temperature: 95°C

Available on Request:

- Stainless steel immersion heaters, from 2 to 12 kW, together with a working thermostat and a hi-limit thermostat.
- Metal or aluminium cladding.

Direct

- Welding process: PAW (Plasma Arc Welding) and TIG (Tungsten Inert Gas) welding process
- Insulation: flexible polyurethane 100 mm with a removable outer PVC jacket.
- Standard accessories: Inspection flange

Indirect 2 Coil

- Heating coils: Spiral coil in AISI 316 L stainless steel.
- Insulation: rigid polyurethane (50 mm) up to 500 litres, flexible polyurethane (100 mm) over 500 litres, with a removable outer PVC jacket.



Direct

Indirect 2 Coil



WaterMark

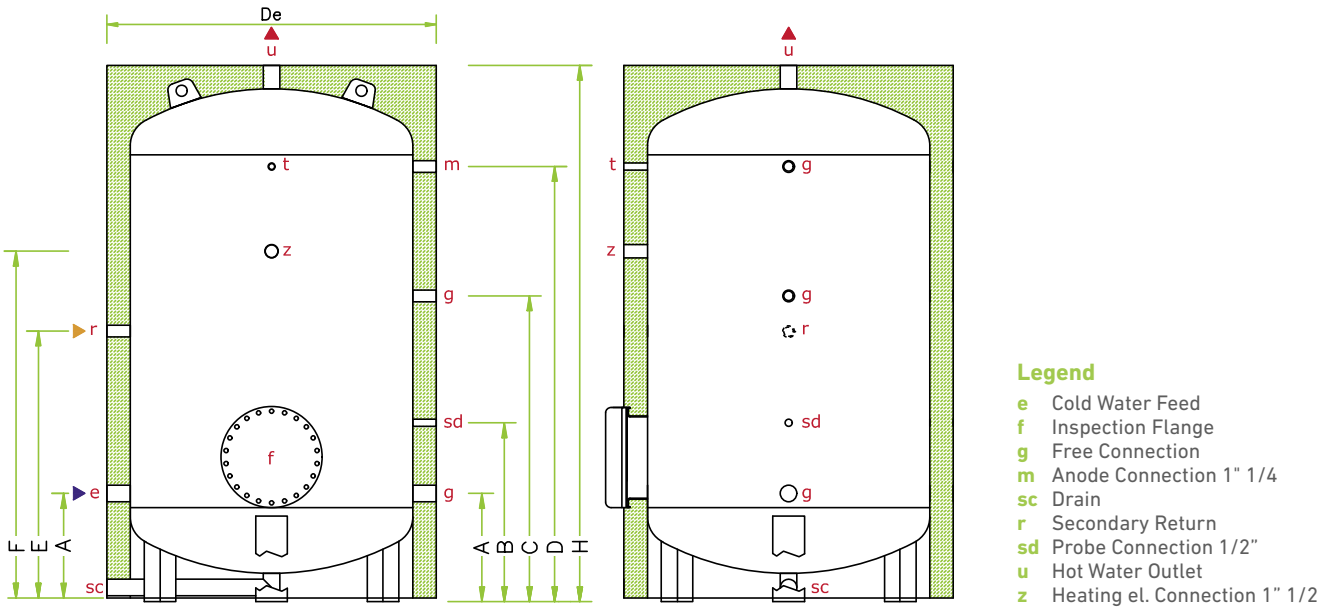
Certificate 23261

Product Quick Check

Product	Stainless Steel Hot Water Tanks	Range	Direct: 200-5000L Indirect 2 Coil: 200-2000L
Material	Stainless Steel AISI 316 L		

Direct

Technical Data



Legend

- e Cold Water Feed
- f Inspection Flange
- g Free Connection
- m Anode Connection 1" 1/4
- sc Drain
- r Secondary Return
- sd Probe Connection 1/2"
- u Hot Water Outlet
- z Heating el. Connection 1" 1/2

Model	Litres	Ø Connections						Max working temp. °C	Tank max working pressure bar
		g-m	r	e-u	z	sd-t	f		
TSSI-ACX2	200	1" 1/4	1"	1"	1" 1/2	1/2"	220/300	95	6
TSSI-ACX3	300	1" 1/4	1"	1"	1" 1/2	1/2"	220/300	95	6
TSSI-ACX5	500	1" 1/4	1"	1"	1" 1/2	1/2"	220/300	95	6
TSSI-ACX8	800	1" 1/4	1" 1/4	1" 1/4	1" 1/2	1/2"	300/380	95	6
TSSI-ACX10	1000	1" 1/4	1" 1/4	1" 1/4	1" 1/2	1/2"	300/380	95	6
TSSI-ACX15	1500	1" 1/4	1" 1/4	1" 1/2	1" 1/2	1/2"	300/380	95	6
TSSI-ACX20	2000	1" 1/4	1" 1/4	2"	1" 1/2	1/2"	350/430	95	6
TSSI-ACX25	2500	1" 1/4	1" 1/4	2"	1" 1/2	1/2"	350/430	95	6
TSSI-ACX30	3000	1" 1/4	1" 1/4	2"	1" 1/2	1/2"	350/430	95	6
TSSI-ACX40	4000	1" 1/4	1" 1/4	2" 1/2	1" 1/2	1/2"	350/430	95	6
TSSI-ACX50	5000	1" 1/4	1" 1/4	2" 1/2	1" 1/2	1/2"	350/430	95	6

Dimensional Data

Dimensions

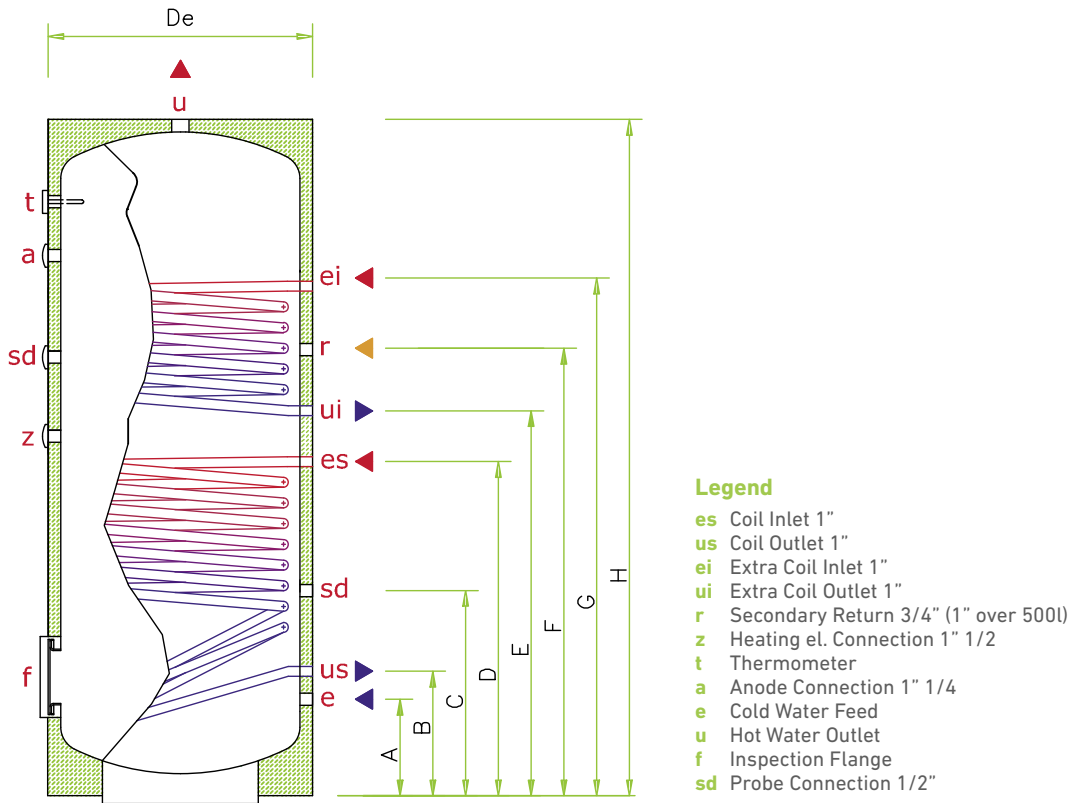
Model	Litres	A	B	C	D	E	F	H	De
TSSI-ACX2	200	275	575	915	1115	725	915	1470	650
TSSI-ACX3	300	295	595	965	1135	745	965	1510	750
TSSI-ACX5	500	270	570	1110	1670	970	1410	1950	800
TSSI-ACX8	800	395	695	1235	1545	970	1385	1920	990
TSSI-ACX10	1000	405	705	1245	1805	1105	1445	2190	1000
TSSI-ACX15	1500	425	725	1265	1815	1115	1455	2200	1200
TSSI-ACX20	2000	460	760	1300	1850	1150	1490	2280	1400
TSSI-ACX25	2500	460	760	1300	2100	1275	1600	2530	1400
TSSI-ACX30	3000	475	775	1315	2365	1415	1645	2800	1450
TSSI-ACX40	4000	530	830	1370	2400	1450	1680	2880	1600
TSSI-ACX50	5000	530	830	1370	2400	1450	1680	2910	1800

Packaging

Model	Height	Width	Depth	Weight kg
TSSI ACX-2	1590	680	680	65
TSSI ACX-3	1630	780	780	75
TSSI ACX-5	2070	830	830	90
TSSI ACX-8	2040	1020	1020	130
TSSI ACX-10	2310	1030	1030	145
TSSI ACX-15	2320	1230	1230	220
TSSI ACX-20	2400	1430	1430	275
TSSI ACX-25	2650	1430	1430	330
TSSI ACX-30	2920	1480	1480	360
TSSI ACX-40	3000	1630	1630	510
TSSI ACX-50	3030	1830	1830	600

Indirect 2 Coils

Technical Data



Model	Litres	Water Connections		Flange f Ø mm	Coil Duty* kW	Continuous Rate		Pressure Drop mBar	Extra* Coil Duty kW	Continuous Rate		Pressure Drop mBar
		e	u			ΔT 35°C l/h	ΔT 35°C l/10'			ΔT 35°C l/h	ΔT 35°C l/10'	
TSSI2C-DRX2	200	1"	1"	180	28.8	740	400	0.7	19.2	460	355	0.4
TSSI2C-DRX3	300	1"	1"	180	41.6	1070	580	1.1	32	740	530	0.7
TSSI2C-DRX5	500	1"	1"	180	62.4	1440	895	1.5	38.4	875	825	0.9
TSSI2C-DRX8	800	1" 1/2	1" 1/2	180	86.4	1775	1360	1.9	48	1070	1275	1.1
TSSI2C-DRX10	1000	1" 1/2	1" 1/2	180	96	1930	1650	2.1	60.8	1320	1575	1.4
TSSI2C-DRX15	1500	2"	2"	290	118.4	2273	2410	2.6	73.6	1550	2325	1.6
TSSI2C-DRX20	2000	2"	2"	290	153.6	2410	3100	3.6	96	2410	3050	2.1

Primary Temperature 80/70°C - Secondary Temperature 10/45°C

Dimensional Data

Dimensions

Model	Litres	A	B	C	D	E	F	G	H	De
TSSI2C-DRX2	200	110	190	340	630	740	840	950	1290	550
TSSI2C-DRX3	300	120	230	405	790	900	1050	1200	1580	600
TSSI2C-DRX5	500	145	240	395	840	950	1095	1250	1630	750
TSSI2C-DRX8	800	170	275	425	870	1010	1200	1385	1735	990
TSSI2C-DRX10	1000	170	275	430	1020	1160	1400	1635	2080	990
TSSI2C-DRX15	1500	230	375	530	1110	1460	1460	1460	2115	1200
TSSI2C-DRX20	2000	255	385	540	1270	1675	1675	1675	2350	1300

Packaging

Model	Height	Width	Depth	Weight kg
TSSI2C-DRX2	1420	600	600	67
TSSI2C-DRX3	1710	650	650	88
TSSI2C-DRX5	1760	800	800	116
TSSI2C-DRX8	1890	1100	1100	173
TSSI2C-DRX10	2230	1100	1100	201
TSSI2C-DRX15	2280	1300	1300	282
TSSI2C-DRX20	2690	1400	1400	366



AutomaticHeating
efficiency □ performance □ solutions

ABN 73 611 897 600

Tel: 1800 337 959 / Fax: +61 3 9310 5655
sales@automaticheating.com.au

P.O. Box 35, Epping VIC 3076, Australia

www.automaticheating.com.au