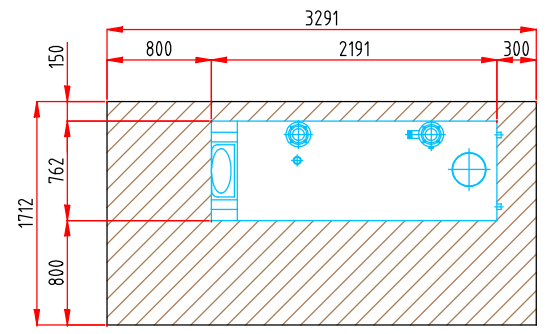
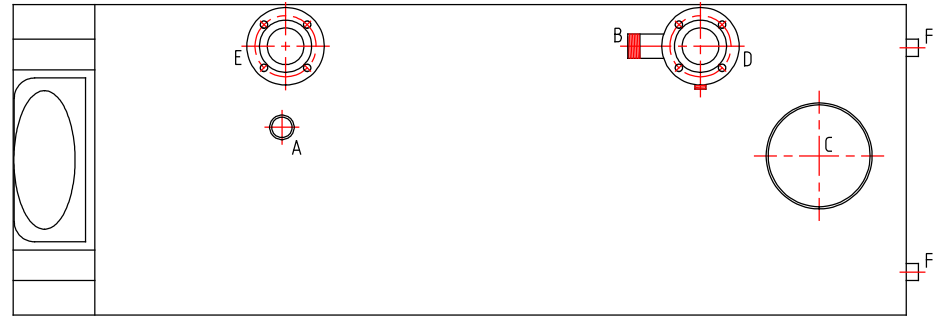


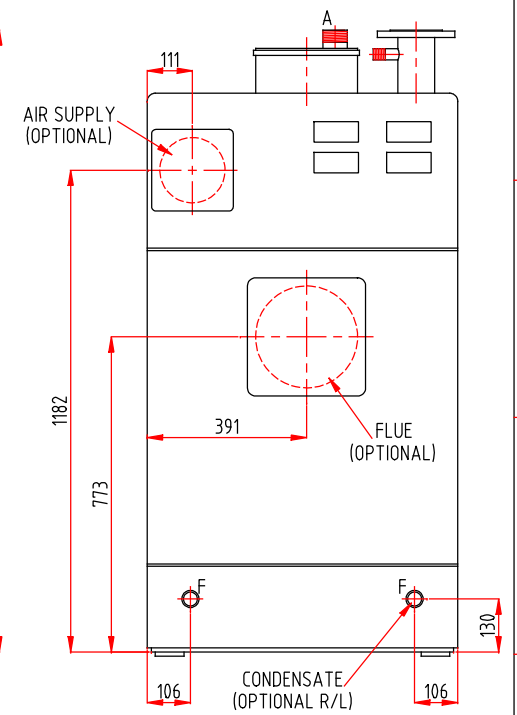
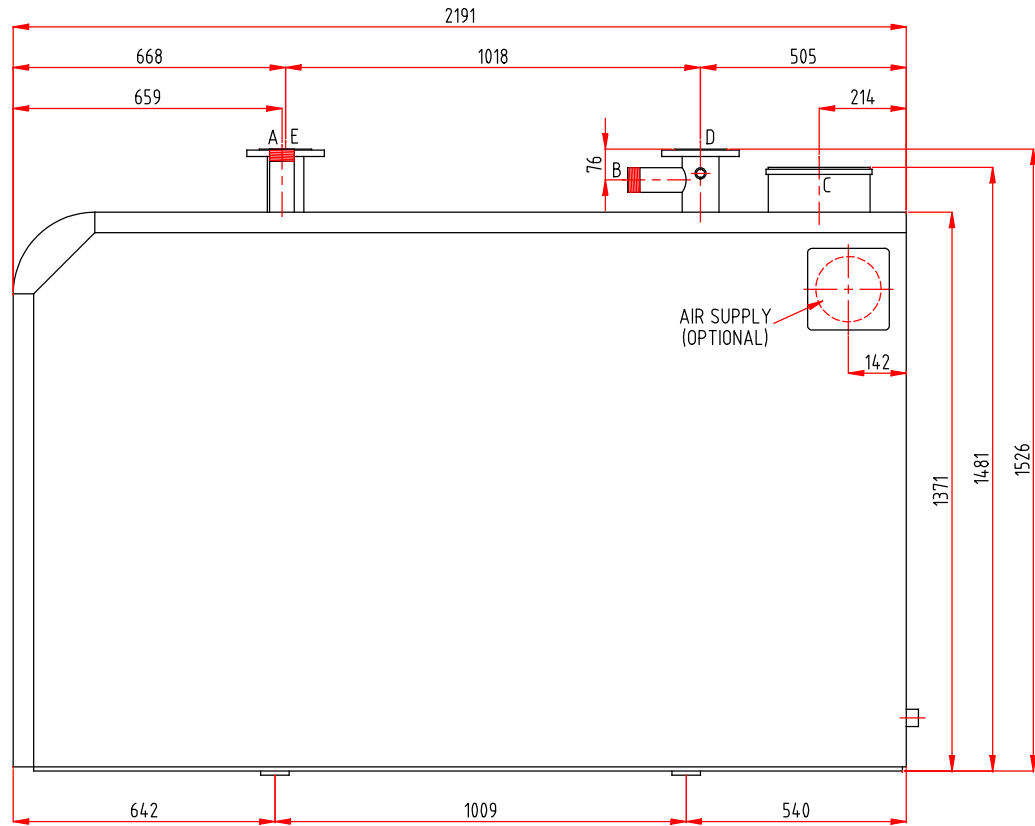
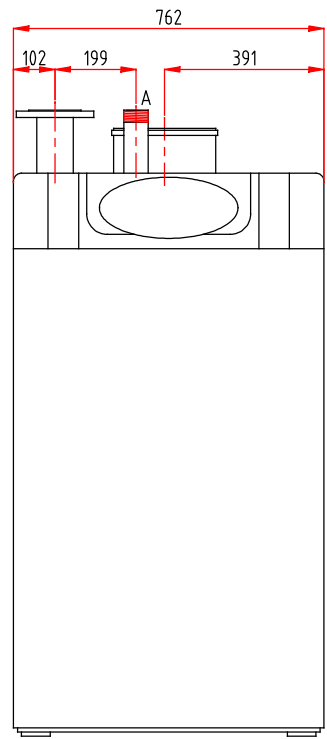
DIMENSIONS ARE CORRECT AT TIME OF PRINTING AND MAY ALTER WITHOUT PRIOR NOTIFICATION

CONNECTION SCHEDULE

DESCRIPTION	SIZE	PORTS
GAS SUPPLY	2"	A
SAFETY VALVE	2"	B
FLUE	∅250	C
FLOW	DN80 PN6	D
RETURN	DN80 PN6	E
CONDENSATE	DN32	F



BOILER CLEARANCE



ORIGINAL ISSUE		G.R.	12/05/15	A	NAME: G.ROBERTS	CLIENT:	AUTOMATIC HEATING PTY LTD 67 GATEWAY BOULEVARD EPPING, VICTORIA 3076 AUSTRALIA Phone : +61 3 9330 3300 Fax : +61 3 9310 5655	SIZE	DRG No.	REV.
MODIFICATION		NAME	DATE	REV	APP:	TITLE: FLOOR STANDING CONDENSING BOILER MODEL - 540E		A3	540E	A
					QUOTE No.			SCALE:	1: 12.5	