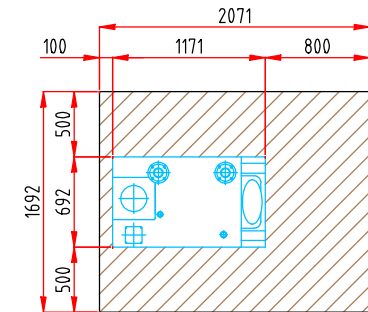
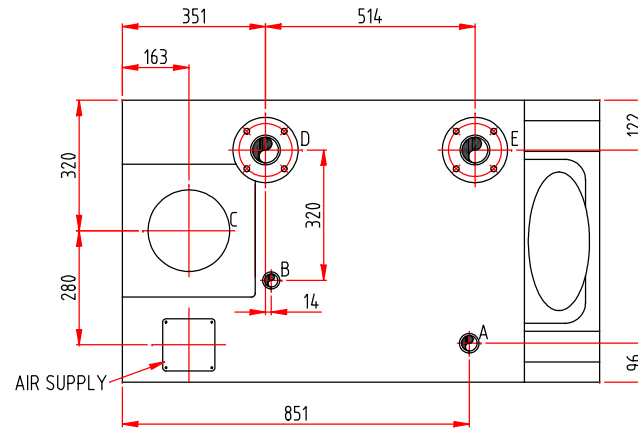


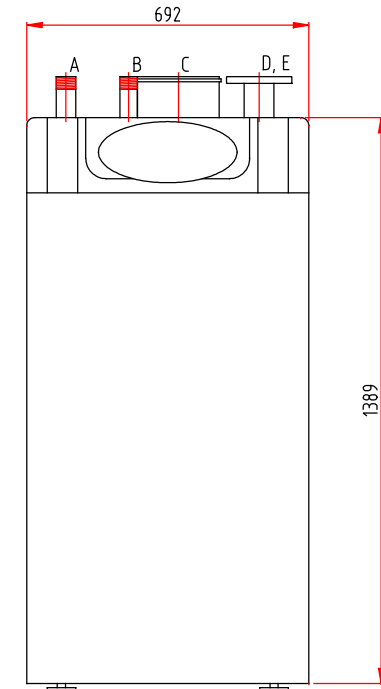
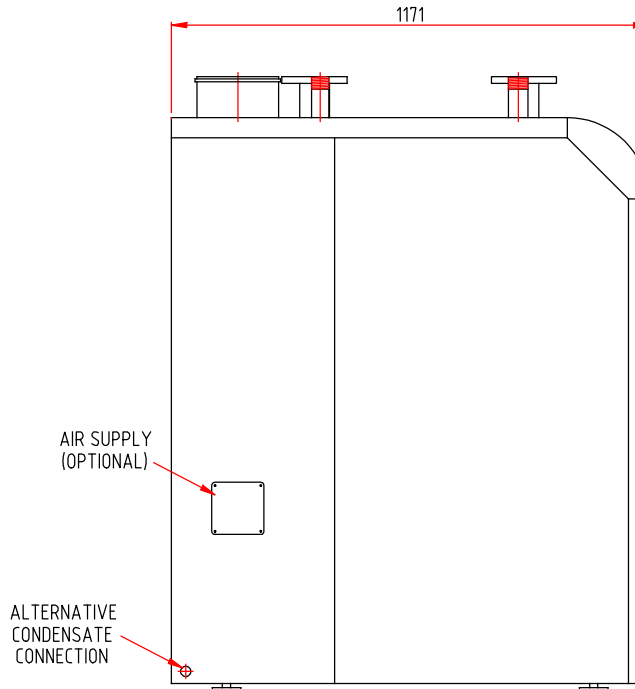
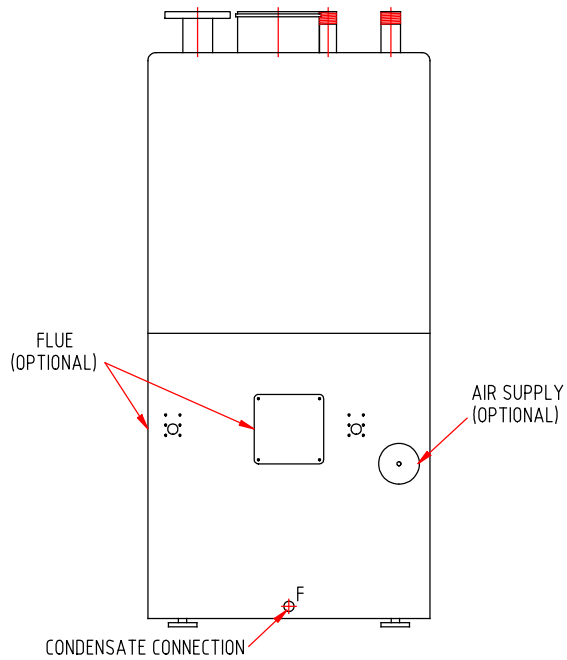
DIMENSIONS ARE CORRECT AT TIME OF PRINTING AND MAY ALTER WITHOUT PRIOR NOTIFICATION

CONNECTION SCHEDULE

DESCRIPTION	SIZE	PORTS
GAS SUPPLY	1-1/2"	A
SAFETY VALVE	1-1/4"	B
FLUE	Ø200	C
FLOW	DN65 PN6	D
RETURN	DN65 PN6	E
CONDENSATE	Ø25	F



BOILER CLEARANCE



		NAME: G.ROBERTS		CLIENT:		AUTOMATIC HEATING PTY LTD		SIZE	DRG No.	REV.
		DATE: 28/10/11				67 GATEWAY BOULEVARD		A3	215E	A
ORIGINAL ISSUE	G.R.	28/10/11	A	APP:	TITLE:	EPPING, VICTORIA 3076 AUSTRALIA				
MODIFICATION	NAME	DATE	REV	QUOTE No.	FLOOR STANDING CONDENSING BOILER MODEL - 215E		Phone : +61 3 9330 3300 Fax : +61 3 9310 5655		SCALE:	1 : 12.5