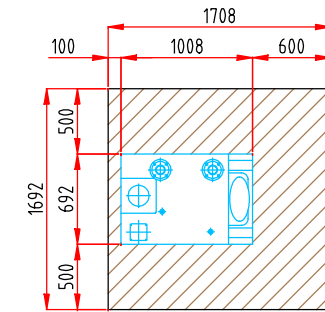
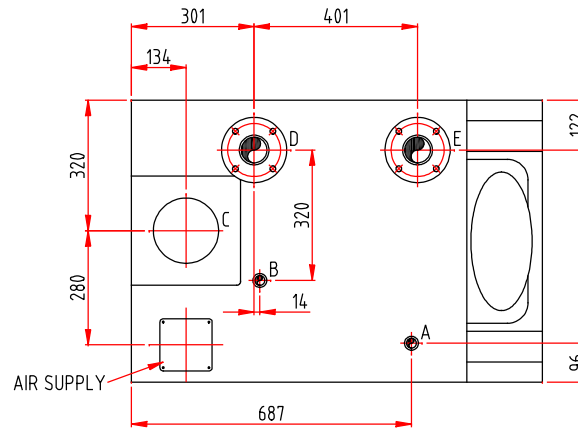


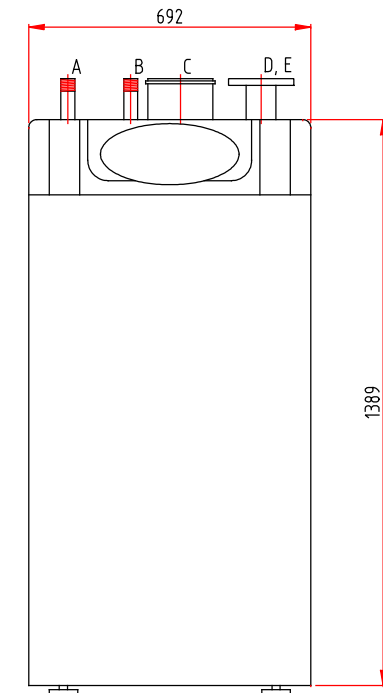
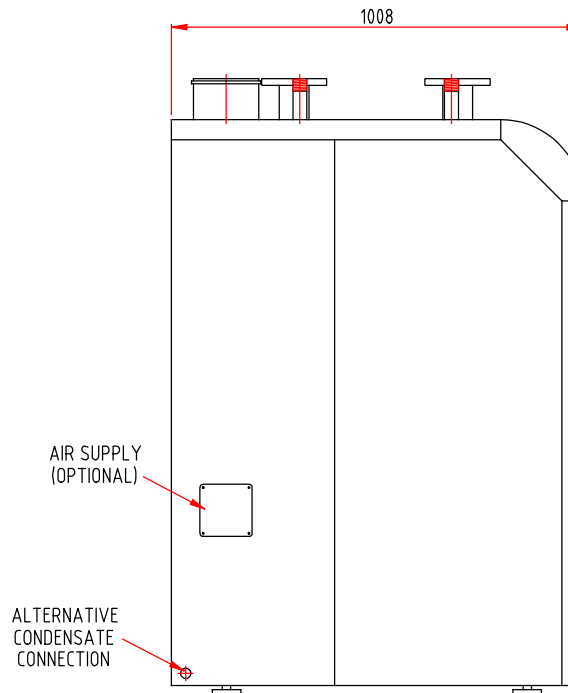
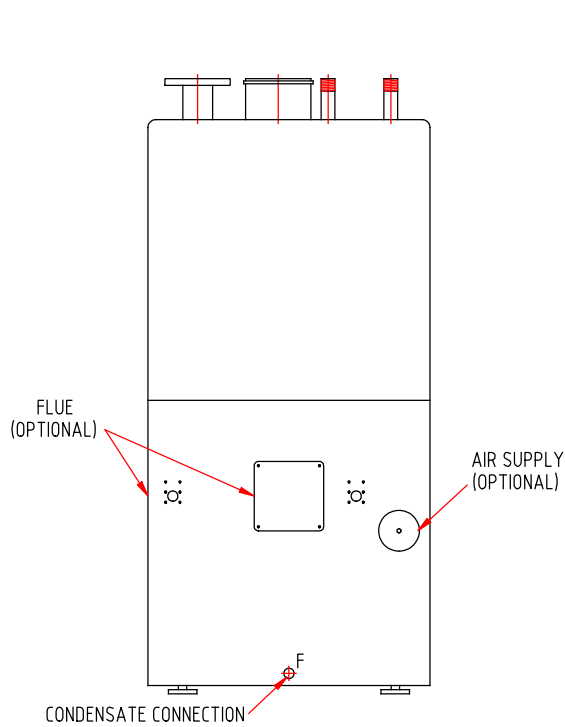
DIMENSIONS ARE CORRECT AT TIME OF PRINTING AND MAY ALTER WITHOUT PRIOR NOTIFICATION

CONNECTION SCHEDULE

DESCRIPTION	SIZE	PORTS
GAS SUPPLY	1"	A
SAFETY VALVE	1"	B
FLUE	∅160	C
FLOW	DN65 PN6	D
RETURN	DN65 PN6	E
CONDENSATE	∅25	F



BOILER CLEARANCE



				NAME: G.ROBERTS	CLIENT:	AUTOMATIC HEATING PTY LTD		SIZE	DRG No.	REV.
				DATE: 28/10/11		67 GATEWAY BOULEVARD		A3	125E	A
ORIGINAL ISSUE	G.R.	28/10/11	A	APP:	TITLE: FLOOR STANDING CONDENSING BOILER MODEL - 125E	EPPING, VICTORIA 3076 AUSTRALIA				
MODIFICATION	NAME	DATE	REV	QUOTE No.		Phone : +61 3 9330 3300 Fax : +61 3 9310 5655		SCALE:	1 : 12.5	