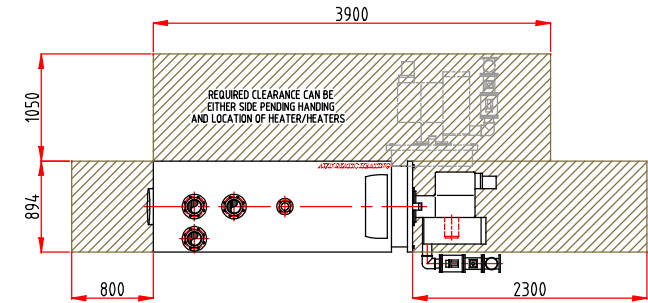
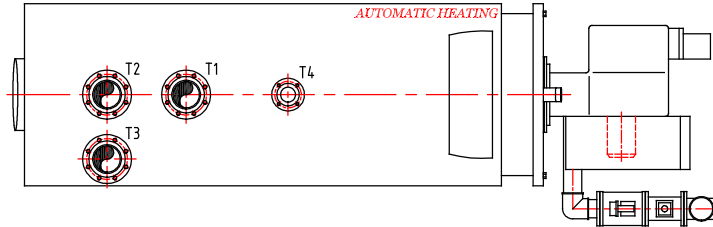


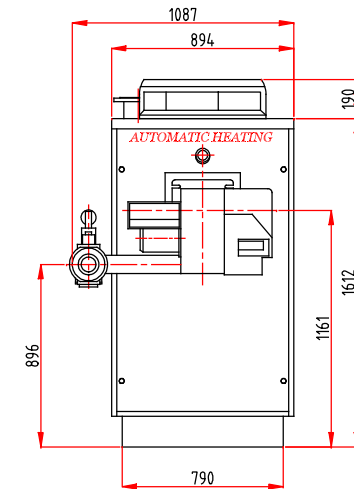
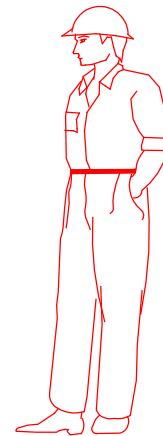
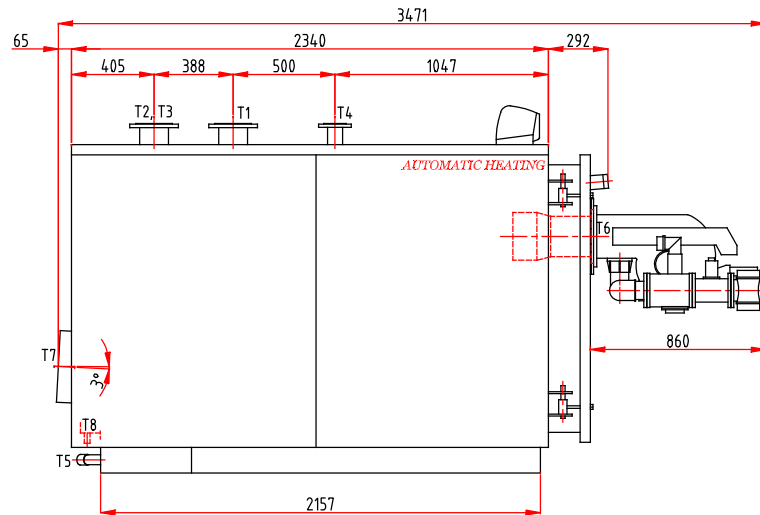
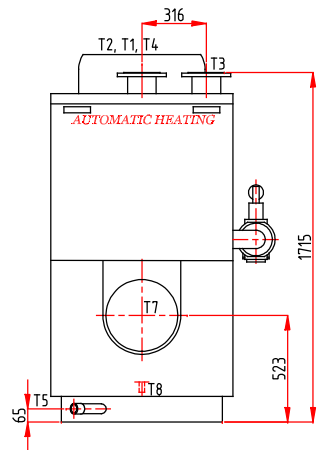
DIMENSIONS ARE CORRECT AT TIME OF PRINTING AND MAY ALTER WITHOUT PRIOR NOTIFICATION

PORT SCHEDULE

PORTS	SIZE	DESCRIPTION
T1	DN125 PN6	C.H. FLOW
T2	DN125 PN6	LOW TEMP C.H. RETURN
T3	DN125 PN6	HIGH TEMP C.H. RETURN
T4	DN65 PN6	EXPANSION VESSEL CONN.
T5	RP 1	BOILER DRAIN
T6	ø270	BURNER PLATE
T7	ø352	FLUE
T8	ø40	CONDENSATE DRAIN



HEATER CLEARANCE
NOT TO SCALE



		NAME: G.ROBERTS		CLIENT:		AUTOMATIC HEATING PTY LTD		SIZE	DRG No.	REV.
		DATE: 19/06/15				67 GATEWAY BOULEVARD		A3	K-900-GS71	A
ORIGINAL ISSUE	G.R.	19/06/15	A	APP:	TITLE:	EPPING, VICTORIA 3076 AUSTRALIA		SCALE:	1:25	
MODIFICATION	NAME	DATE	REV	QUOTE No.	C/W GS71 BURNER		Phone : +61 3 9330 3300 Fax : +61 3 9310 5655			