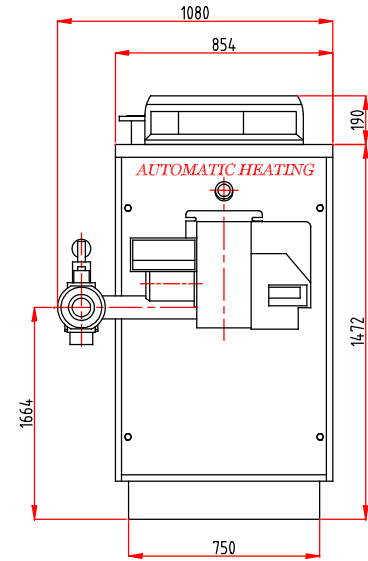
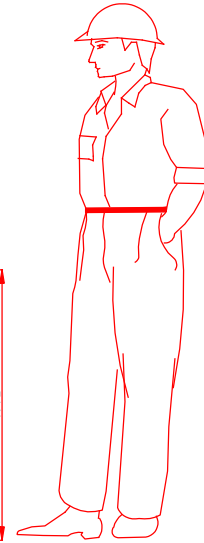
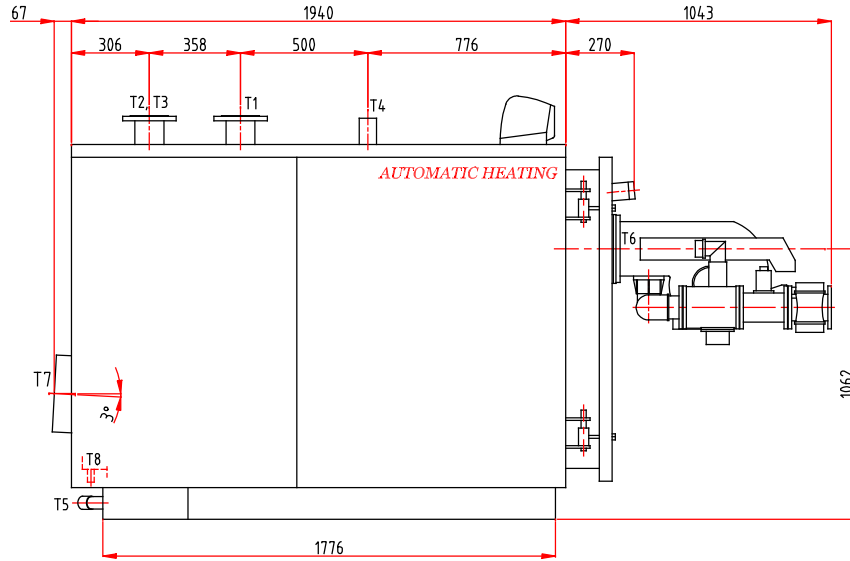
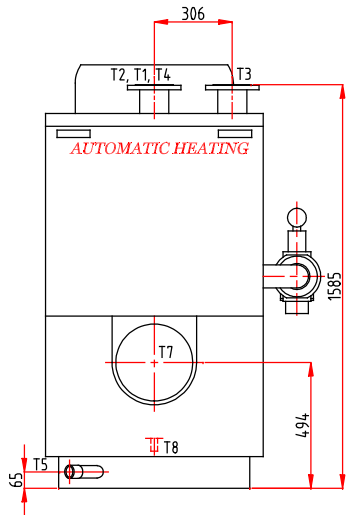
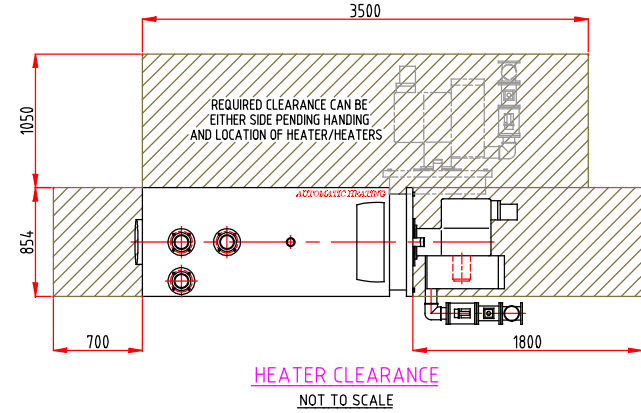
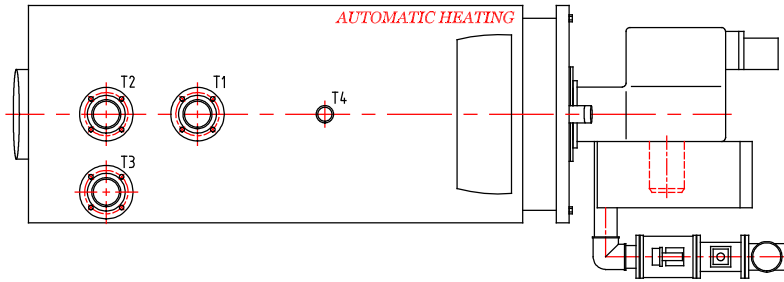


DIMENSIONS ARE CORRECT AT TIME OF PRINTING AND MAY ALTER WITHOUT PRIOR NOTIFICATION

PORT SCHEDULE

PORTS	SIZE	DESCRIPTION
T1	DN100 PN6	C.H. FLOW
T2	DN100 PN6	LOW TEMP C.H. RETURN
T3	DN100 PN6	HIGH TEMP C.H. RETURN
T4	RP 2	EXPANSION VESSEL CONN.
T5	RP 1	BOILER DRAIN
T6	Ø220	BURNER PLATE
T7	Ø302	FLUE
T8	Ø40	CONDENSATE DRAIN



ORIGINAL ISSUE		G.R.	08/09/15	A	APP:	NAME: G.ROBERTS DATE: 08/09/15		CLIENT:	AUTOMATIC HEATING PTY LTD 67 GATEWAY BOULEVARD EPPING, VICTORIA 3076 AUSTRALIA Phone : +61 3 9330 3300 Fax : +61 3 9310 5655		SIZE A3	DRG No. K-570	REV. A
MODIFICATION		NAME	DATE	REV	QUOTE No.	TITLE: EUROGEN BOILER MODEL K-570 C/W GS65 BURNER				SCALE: 1:20			