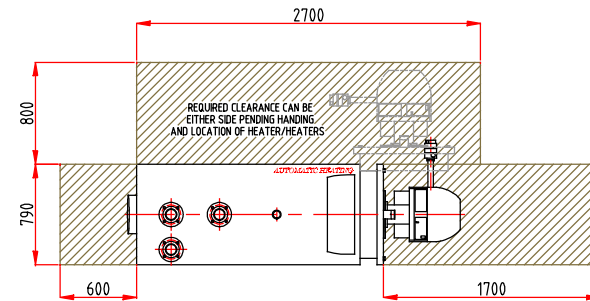
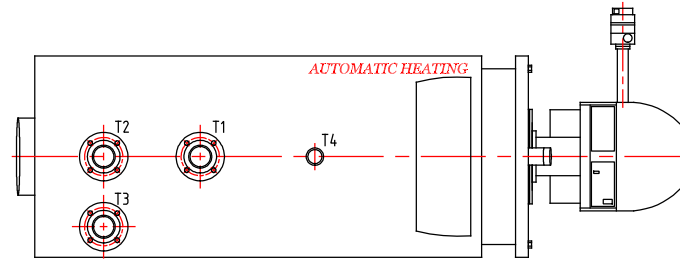


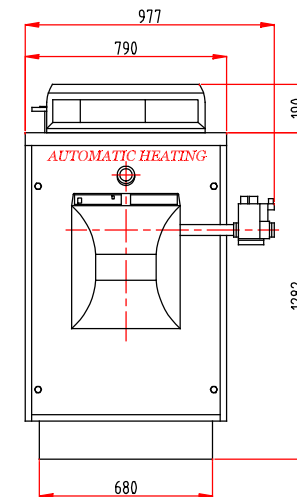
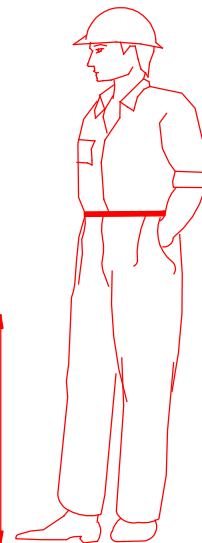
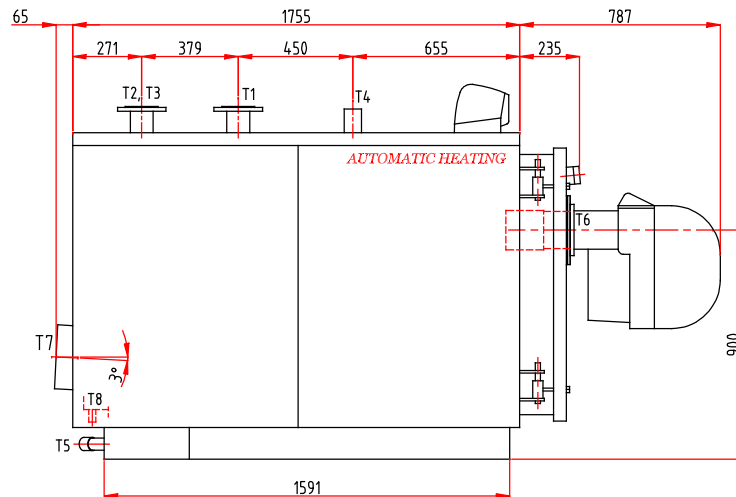
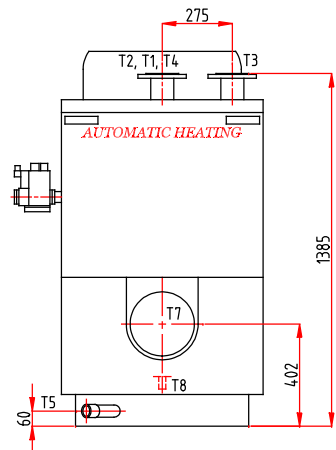
DIMENSIONS ARE CORRECT AT TIME OF PRINTING AND MAY ALTER WITHOUT PRIOR NOTIFICATION

**PORT SCHEDULE**

PORTS	SIZE	DESCRIPTION
T1	DN80 PN6	C.H. FLOW
T2	DN80 PN6	LOW TEMP C.H. RETURN
T3	DN80 PN6	HIGH TEMP C.H. RETURN
T4	RP 2	EXPANSION VESSEL CONN.
T5	RP 1	BOILER DRAIN
T6	Ø180	BURNER PLATE
T7	Ø252	FLUE
T8	Ø40	CONDENSATE DRAIN



**HEATER CLEARANCE**  
NOT TO SCALE



ORIGINAL ISSUE		G.R.	06/02/16	A	APP:	TITLE: EUROGEN BOILER MODEL K-400 C/W GS550 BURNER	<b>AUTOMATIC HEATING PTY LTD</b> 67 GATEWAY BOULEVARD EPPING, VICTORIA 3076 AUSTRALIA Phone : +61 3 9330 3300 Fax : +61 3 9310 5655		SIZE <b>A3</b>	DRG No. <b>K-400</b>	REV. <b>A</b>
MODIFICATION		NAME	DATE	REV	QUOTE No.				SCALE: 1:20		