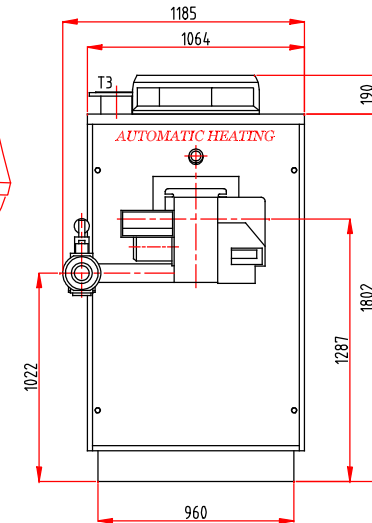
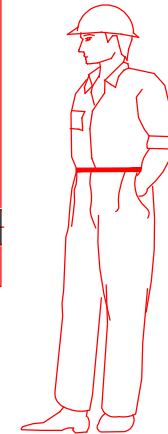
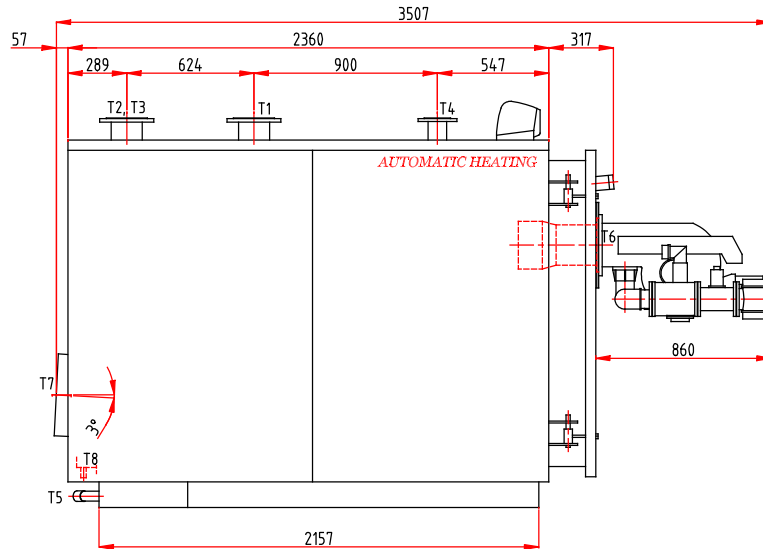
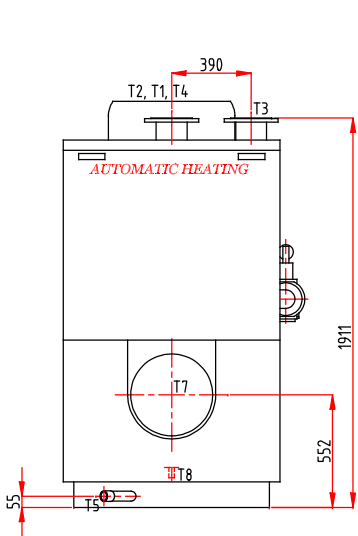
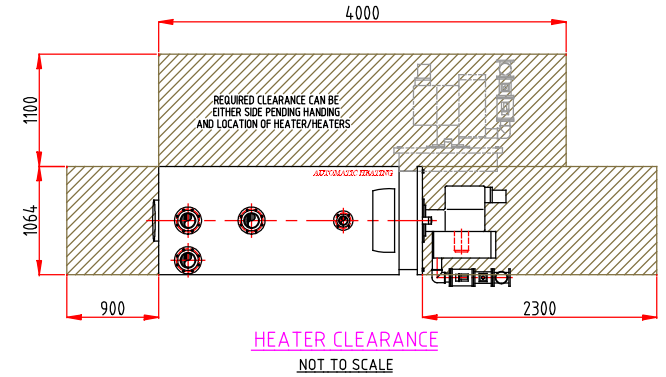
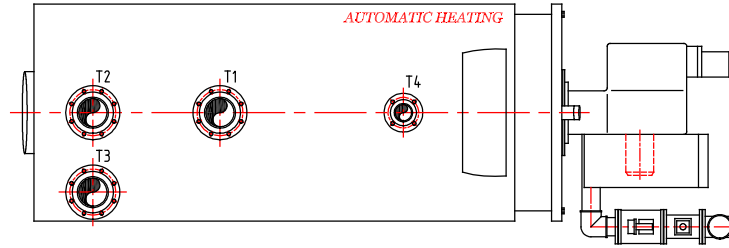


DIMENSIONS ARE CORRECT AT TIME OF PRINTING AND MAY ALTER WITHOUT PRIOR NOTIFICATION

PORT SCHEDULE

PORTS	SIZE	DESCRIPTION
T1	DN150 PN6	C.H. FLOW
T2	DN150 PN6	LOW TEMP C.H. RETURN
T3	DN150 PN6	HIGH TEMP C.H. RETURN
T4	DN80 PN6	EXPANSION VESSEL CONN.
T5	RP 1-1/2	BOILER DRAIN
T6	φ320	BURNER PLATE
T7	φ402	FLUE
T8	φ40	CONDENSATE DRAIN



ORIGINAL ISSUE		G.R.	02/11/15	A	APP:	NAME: G.ROBERTS	CLIENT:	AUTOMATIC HEATING PTY LTD 67 GATEWAY BOULEVARD EPPING, VICTORIA 3076 AUSTRALIA Phone : +61 3 9330 3300 Fax : +61 3 9310 5655	SIZE	DRG No.	REV.
MODIFICATION		NAME	DATE	REV	QUOTE No.	TITLE: EUROGEN BOILER MODEL K-1140 C/W GS71 BURNER	A3		K-1140-GS71	A	
											SCALE: 1:25