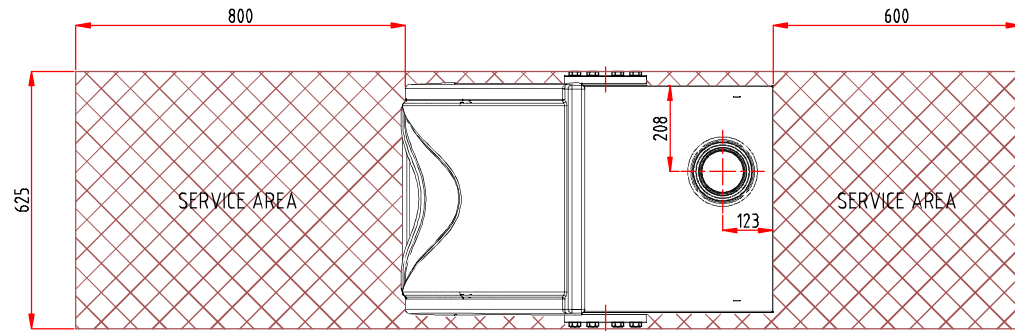
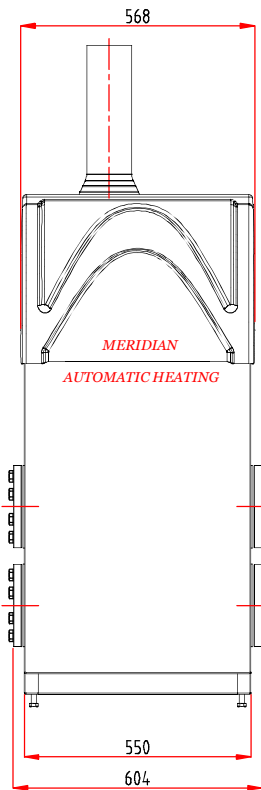


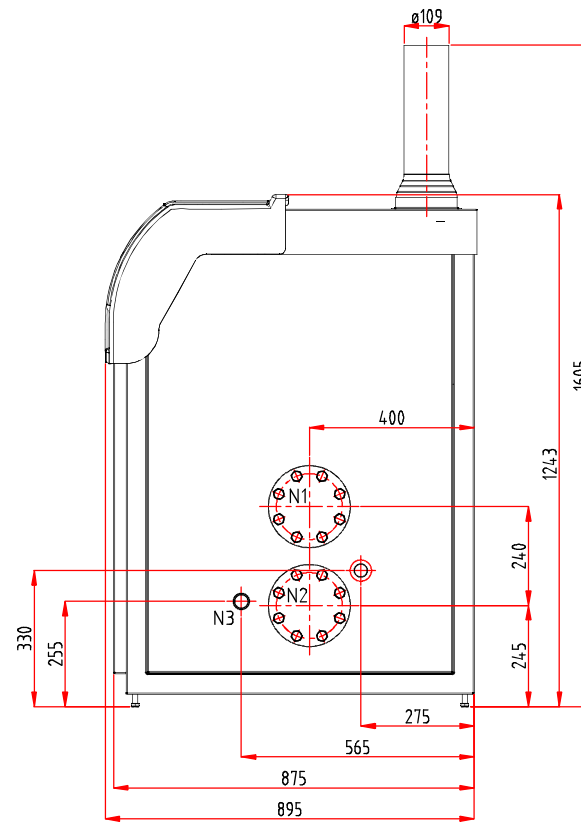
DIMENSIONS ARE CORRECT AT TIME OF PRINTING AND MAY ALTER WITHOUT PRIOR NOTIFICATION



TOP VIEW



FRONT VIEW



SIDE VIEW

NOZZLE	SIZE	DESCRIPTION
N1	80mm DIN16	HHW OULET/FLOW
N2	80mmDIN16	HHW INLET/RETURN
N3	32BSPM	GAS

TABLE DESCRIPTION REVISED	G.R.	02/11/15	B	NAME: G.ROBERTS	CLIENT:	AUTOMATIC HEATING PTY LTD 67 GATEWAY BOULEVARD EPPING, VICTORIA 3076 AUSTRALIA Phone : +61 3 9330 3300 Fax : +61 3 9310 5655	SIZE	DRG No.	REV.
ORIGINAL ISSUE	G.R.	02/10/15	A	DATE: 02/10/15	TITLE: MERIDIAN CONDENSING WATER HEATER		A3	MERIDIAN 120/1500D	B
MODIFICATION	NAME	DATE	REV	QUOTE No.	OUTDOOR MODEL -120 & 150		SCALE:	1:12.5	