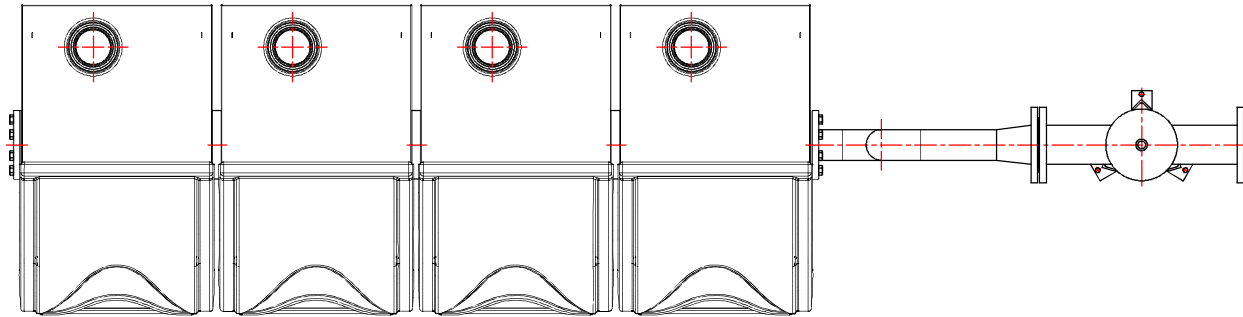
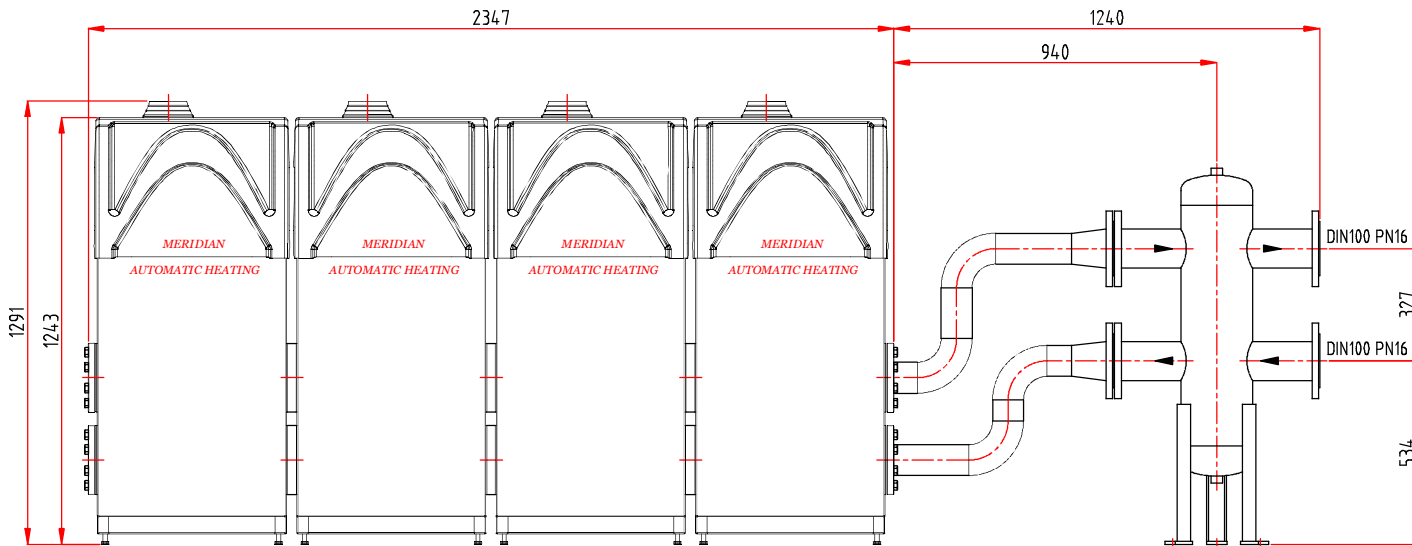


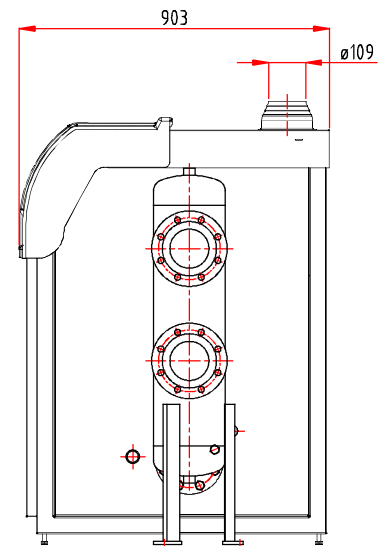
DIMENSIONS ARE CORRECT AT TIME OF PRINTING AND MAY ALTER WITHOUT PRIOR NOTIFICATION



PLAN VIEW



FRONT VIEW



SIDE VIEW

		NAME: G.ROBERTS		CLIENT:		AUTOMATIC HEATING PTY LTD		SIZE	DRG No.	REV.
		DATE: 08/10/15				67 GATEWAY BOULEVARD		A3	MER-120/150x4-HS	A
ORIGINAL ISSUE	G.R.	08/10/15	A	APP:	TITLE:	EPPING, VICTORIA 3076 AUSTRALIA				
MODIFICATION	NAME	DATE	REV	QUOTE No.	MODEL -120/150 x 4 IN SERIES C/W HSI-550F HYD. SEP.	Phone : +61 3 9330 3300 Fax : +61 3 9310 5655				
								SCALE:	1:15	