



# Duraflex EcoFill

Refill and Backflow Prevention Units  
Installation & Instruction Manual





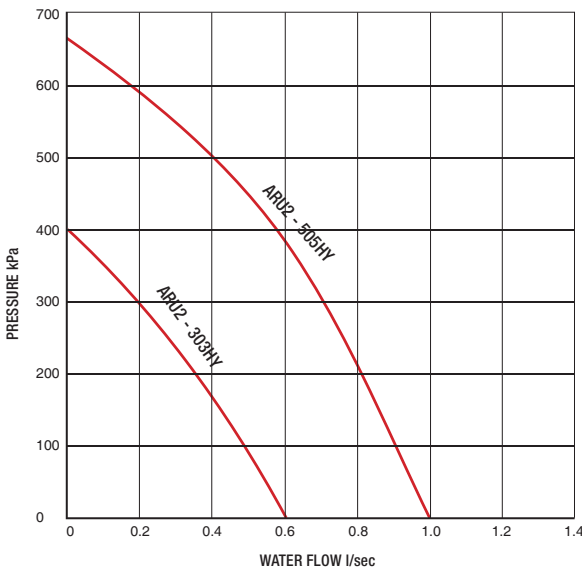
## Autoheat Refill Unit Installation Instructions

1. Check unit and advise **automatic heating pty ltd** of any damage to unit during transit.
2. Securely fix wall bracket to the wall, or other suitable mounting frame, ensuring that bracket is level. Mount unit onto wall bracket and screw through bottom cabinet bracket to secure the cabinet.
3. Connect mains pressure water supply to 15mm inlet for water supply to make-up tank.
4. Connect overflow pipe to approved drain point(40mm d.w.v.).
5. Connect 15mm outlet connection to system.

**Note: it is very important that this ecofill unit is connected directly into the expansion water line and not connected to a filling valve or pressure reducing valve as this prevents correct operation.**

**If a filling valve is supplied with the automatic ecofill unit, the filling valve inlet is only to be connected to mains pressure for initial filling of the system.**

**The hose used for the initial fill must be “non permanent” and is to be disconnected after the system is full.**



### Reasons for installing an Duraflex EcoFill Refill Unit

- Provides backflow prevention
- Ideal when mains water pressure is insufficient
- Allows detailed monitoring of water usage
- Dual pump for redundancy

6. Fill system via filling valve as described above.
7. Open water supply isolating valve to refill unit and fill make-up tank.
8. Adjust flow control valve on outlet of refill unit pump approximately **half turn open**.
9. Open refill unit isolating valve to system and observe pressure reading on gauge.
10. Connect to power supply via 240 volt g.p.o. And turn on unit.
11. Observe pump operating and record pressure performance of unit.
12. If operating pressure is not correct, adjust pressure switch to give correct start/stop pressure control.

**Standard pressure switch settings are:**

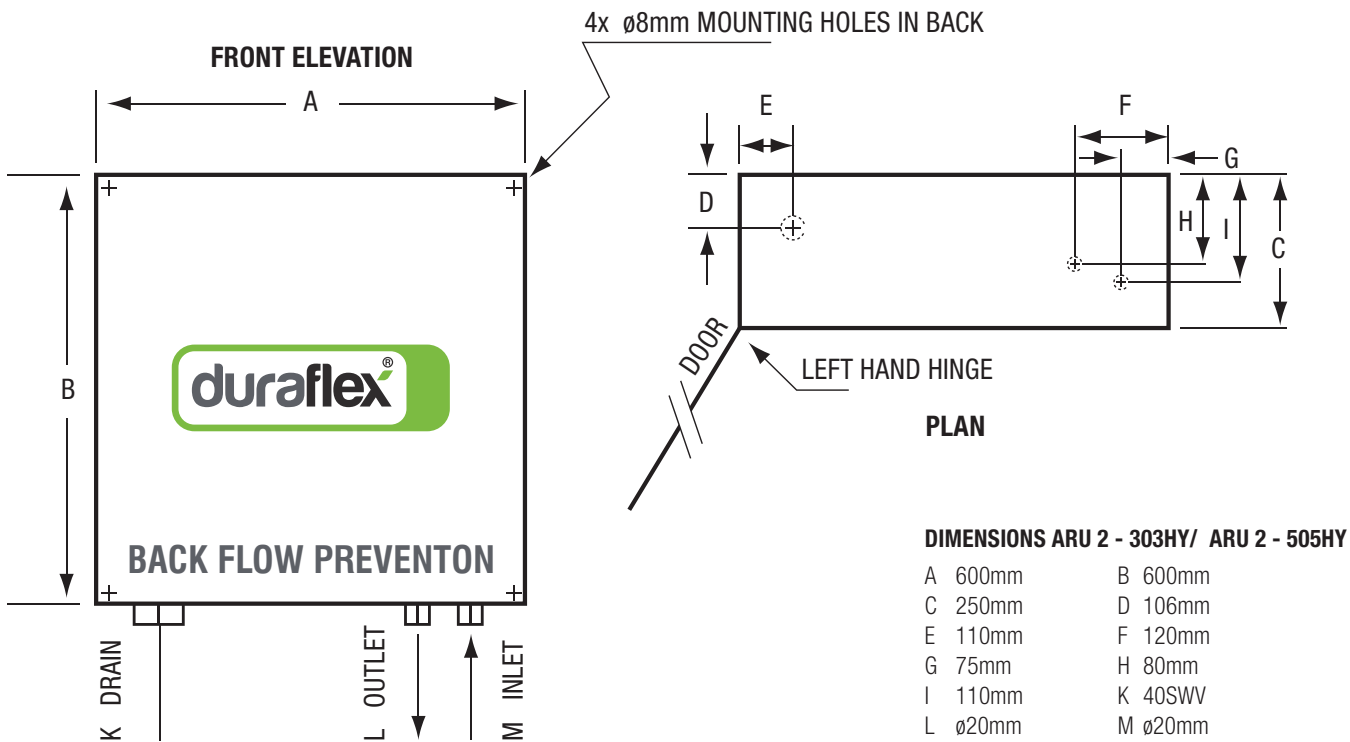
**Switch on 80 kpa,**

**Switch off 150 kpa**



## Performance Data

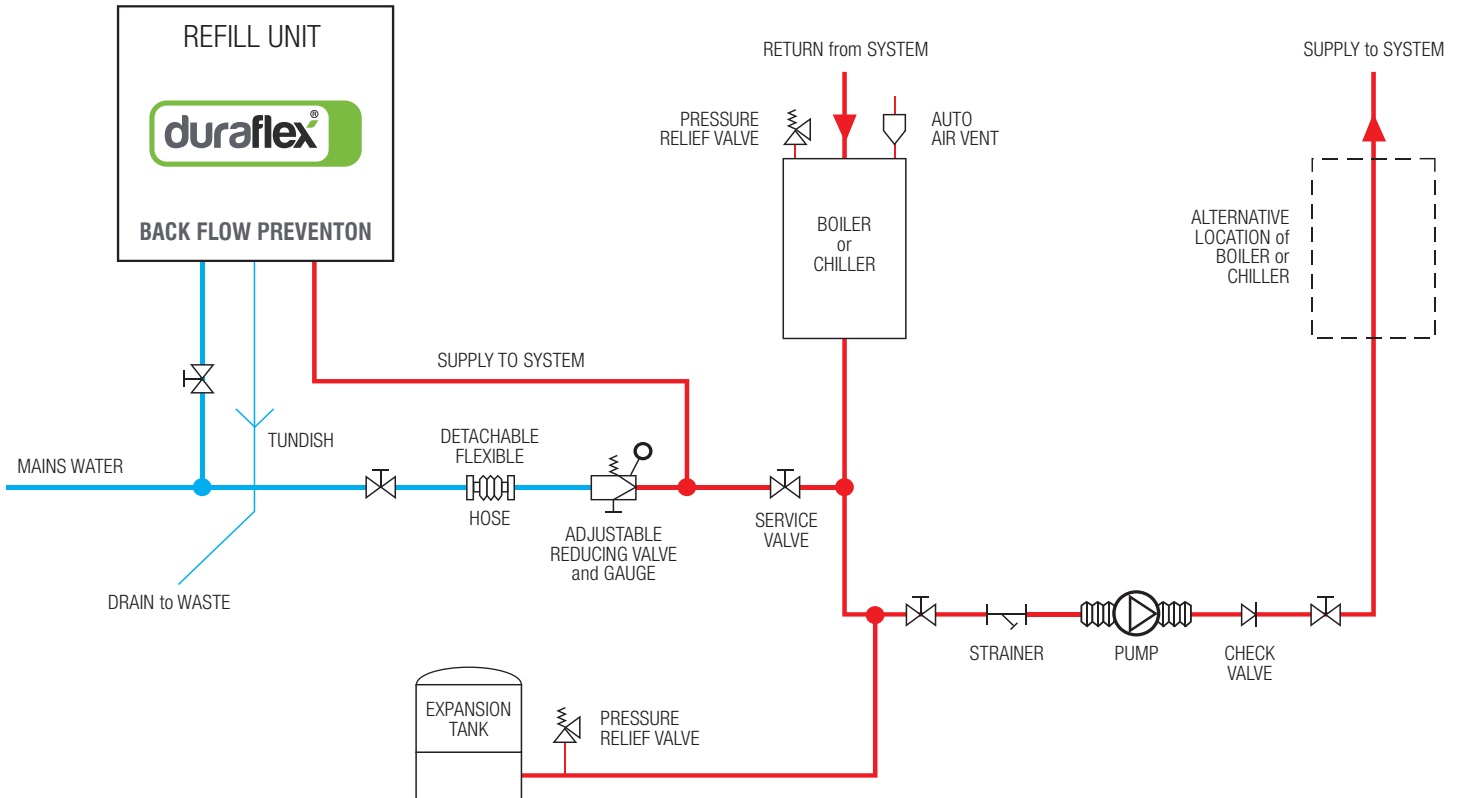
| Model Number   | Nom. Pump Working Range |     | Pres. Switch Working Range |     | Inlet Pressure |         | Pump Motor KW<br>Volts<br>Amps | Shipping Weight<br>kg | Break Tank<br>Gross Litres | Mains Inlet<br>Dia. mm | Outlet to System<br>Dia. mm |
|--|-------------------------|-----|----------------------------|-----|----------------|---------|--------------------------------|-----------------------|----------------------------|------------------------|-----------------------------|
|  | L/Sec                   | KPA | KPA                        | KPA | Min kPa        | Max kPa |                                |                       |                            |                        |                             |
| <b>STANDARD MODELS</b>   |                         |     |                            |     |                |         |                                |                       |                            |                        |                             |
| ARU 2-303  | 0.4                     | 150 | 50                         | 225 | 200            | 1000    | 0.37<br>240<br>2.1             | 35                    | 12                         | 20                     | 20                          |
| ARU 2-505  | 0.4                     | 430 | 50                         | 375 | 200            | 1000    | 0.60<br>240<br>5.0             | 38                    | 12                         | 20                     | 20                          |
| <b>VOLT FREE MODELS</b> include volt free contacts for low water and high / low pressure |                         |     |                            |     |                |         |                                |                       |                            |                        |                             |
| ARU 2-303 VF   | 0.4                     | 150 | 50                         | 225 | 200            | 1040    | 0.37<br>240<br>2.1             | 35                    | 12                         | 20                     | 20                          |
| ARU 2-505 VF   | 0.4                     | 430 | 50                         | 375 | 200            | 1000    | 0.60<br>240<br>5.0             | 38                    | 12                         | 20                     | 20                          |



Automatic Heating reserves the right to change specifications without notice.



## Typical connection to closed expansion system



DISTRIBUTED BY



**Automatic Heating**  
efficiency □ performance □ solutions

67 Gateway Boulevard, Epping, Victoria 3076 Australia  
P.O. Box 35 Epping VIC 3076 Australia  
**Telephone** +61 3 9330 3300 **Facsimile** +61 3 9310 5655  
**Email** sales@automaticheating.com.au  
[www.automaticheating.com.au](http://www.automaticheating.com.au)