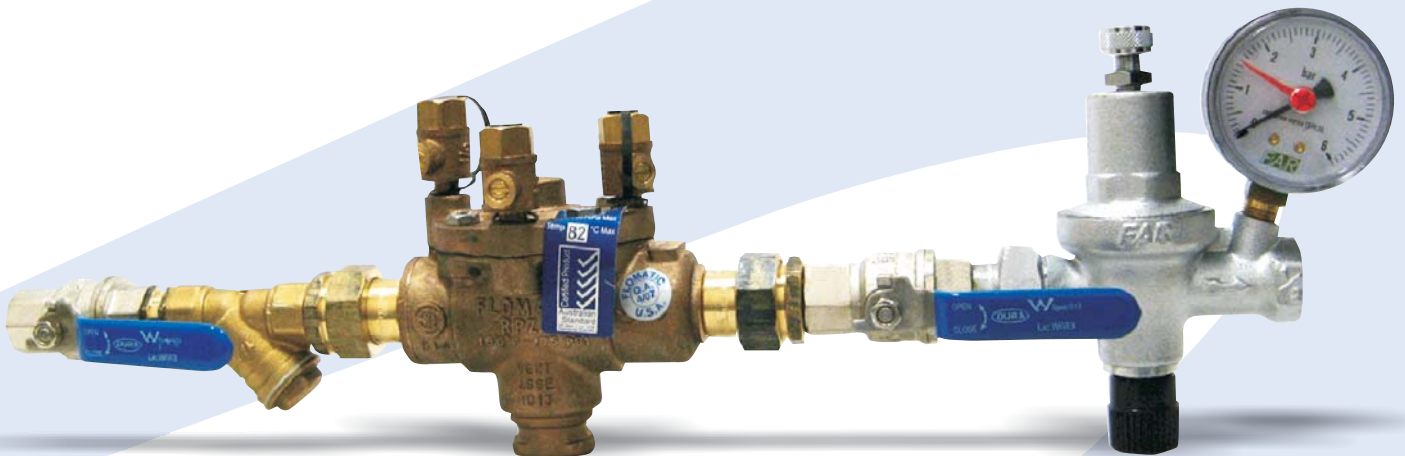




Flowmatic Water Make-up Assembly

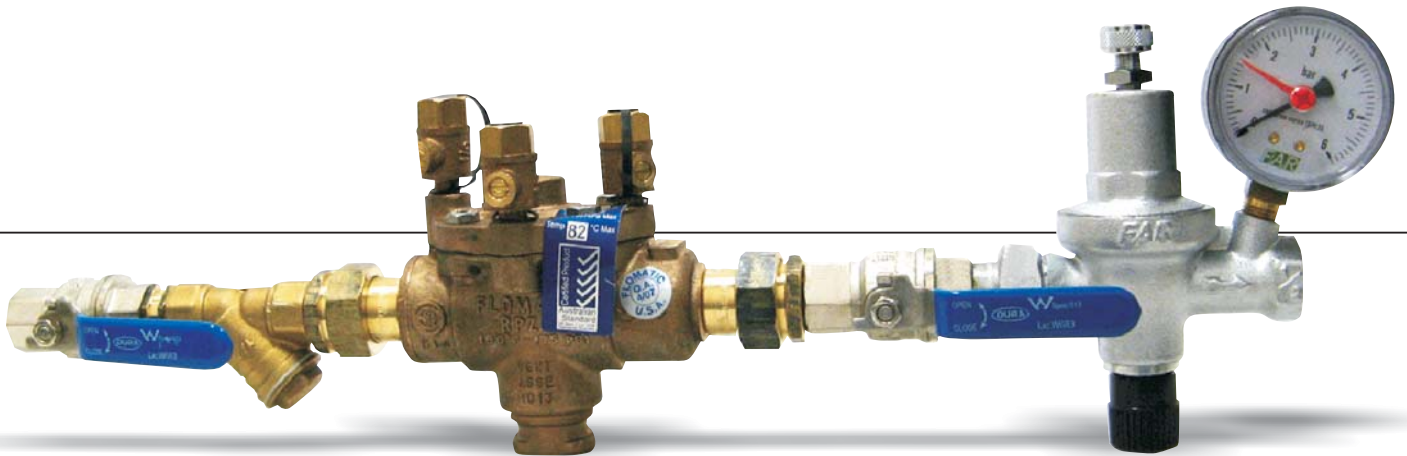
FWMA 015



Automatic Heating
efficiency performance solutions



Flowmatic Water Make Up Assembly



Flowmatic Water Make-Up Assembly

FWMA 015 is a Reduced Pressure Zone Device combining back-flow prevention with system filling as required by AS3500 National Plumbing and Drainage Code.

Flowmatic FWMA015 consists of 2 ball valves, RPZD valve, strainer and adjustable Pressure reducing valve with gauge.

The FLOWMATIC series of Reduced Pressure Zone Devices are designed to prevent the return of contaminated water to the water supply system.

FLOWMATIC FWMA015 RPZD devices are suitable for a range of medium and high Hazard applications.

FLOWMATIC RPZD devices are available in various sizes up to 100mm.

Some examples of FLOWMATIC FWMA015 applications are:

- Chemically treated closed circuit heating or chilled water systems.
- Hydronic heating systems.
- Floor-coil heating systems.
- Distribution branches from mains water supply to services and plantrooms.

It is a statutory requirement that the FWMA015 shall have an authorised maintenance program for device registration and annual test certification.

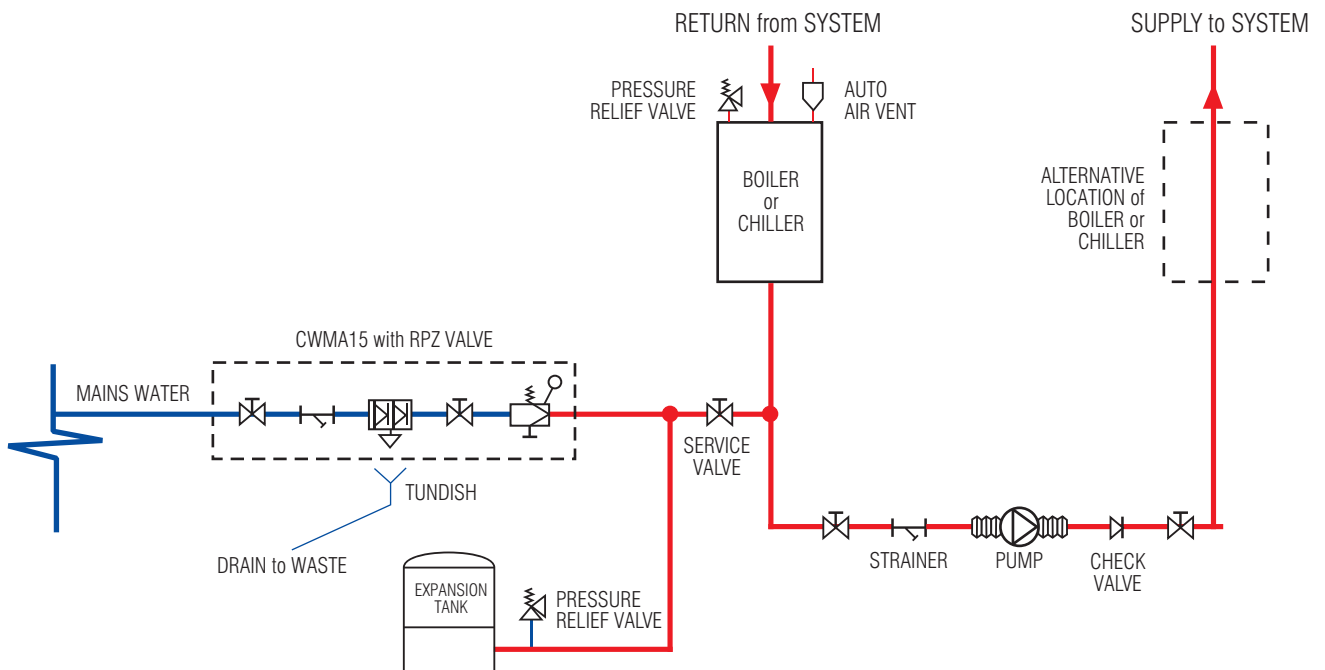
FLOWMATIC FWMA015 units are assembled in accordance with AS3500 National Plumbing and Drainage Code. The RPZD valve is approved to AS/NZ2845 Licence 2236.



Performance Data

Maximum Inlet Pressure kPa	Maximum Outlet Pressure kPa	Maximum Pressure Range kPa	Maximum Supply Temperature °C	Total Length mm
1,000	400	30-400	65	505

Installation Diagram



Automatic Heating reserves the right to change specifications without notice.



DISTRIBUTED BY



Automatic Heating
efficiency performance solutions

51 Assembly Tullamarine Vic 3043 Australia
PO Box 356 Tullamarine Vic 3043 Australia
Telephone +61 3 9330 3300 **Facsimile** +61 3 9310 5655
Email sales@automaticheating.com.au
www.automaticheating.com.au